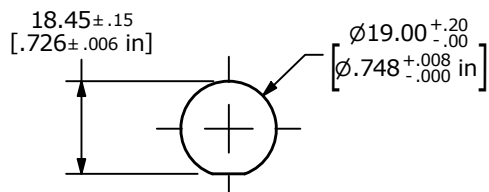


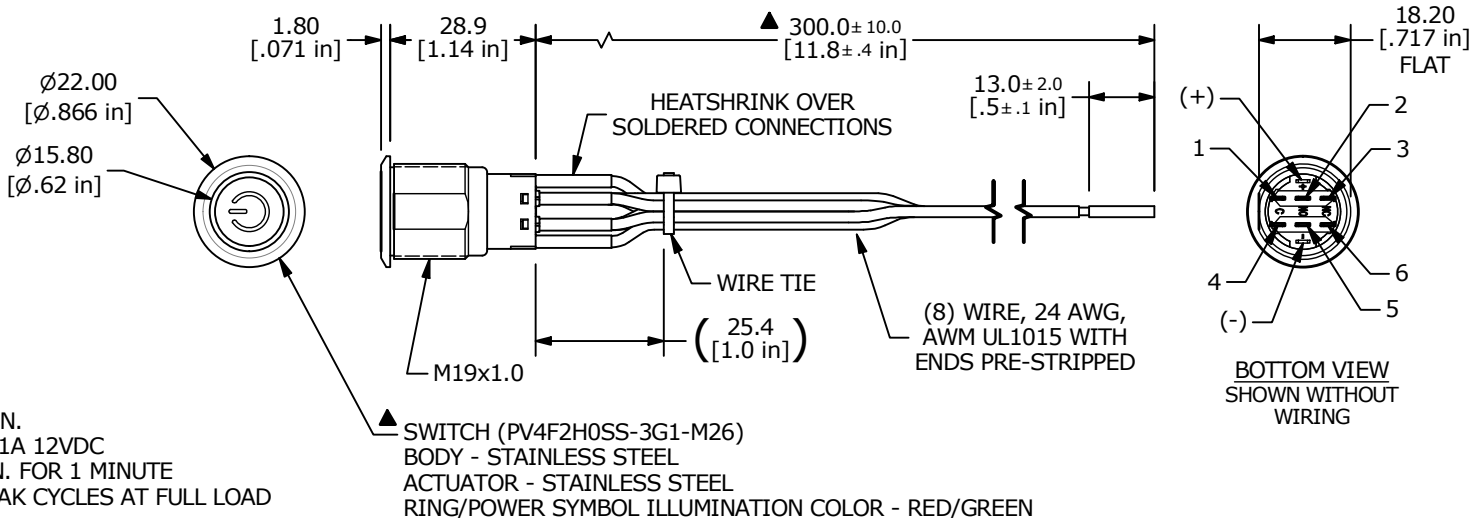
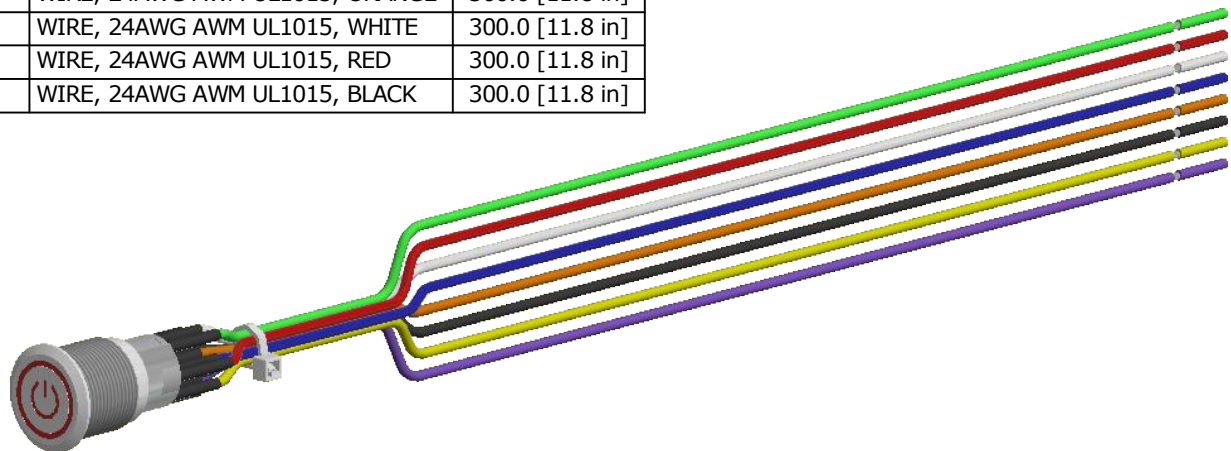
SCHEMATIC
 ON - (ON) - DPDT ILLUMINATED
 () DENOTES MOMENTARY FUNCTION



RECOMMENDED PANEL CUTOUT
 MAX. PANEL THICKNESS 11.0 [.43 in]

- NOTES:**
1. DIMENSIONS IN MM [INCH]
 2. TERMINAL NUMBERS FOR REF. ONLY
 - ▲ 3. CONTACT MATERIAL: SILVER
 4. RATING: 2A 24VDC
 - ▲ 5. LAMP VOLTAGE: RED 1.8V, GREEN 2.8V
 6. INGRESS PROTECTION: IP65
 7. TRAVEL: 2.8mm
 8. OPERATING TEMP.: -20°C to 55°C
 9. INSULATION RESISTANCE: 1,000 MΩ MIN.
 10. CONTACT RESISTANCE: 50mΩ MAX. @ 1A 12VDC
 11. DIELECTRIC STRENGTH: 2,000 VAC MIN. FOR 1 MINUTE
 12. ELECTRIC LIFE: 50,000 MAKE-AND-BREAK CYCLES AT FULL LOAD
 13. ▲ DENOTES CRITICAL PARAMETER.
 14. ALL MATERIAL SHALL BE ROHS COMPLIANT
 - ▲ 15. SUPPLIED HARDWARE: O-RING AND HEXNUT
 16. USE P/N'S DESIGNATED OR ENGINEERING APPROVED EQUIVALENTS

SWITCH	WIRE	LENGTH
SW1-1	WIRE, 24AWG AWM UL1015, YELLOW	300.0 [11.8 in]
SW1-2	WIRE, 24AWG AWM UL1015, BLUE	300.0 [11.8 in]
SW1-3	WIRE, 24AWG AWM UL1015, GREEN	300.0 [11.8 in]
SW1-4	WIRE, 24AWG AWM UL1015, PURPLE	300.0 [11.8 in]
SW1-5	WIRE, 24AWG AWM UL1015, ORANGE	300.0 [11.8 in]
SW1-6	WIRE, 24AWG AWM UL1015, WHITE	300.0 [11.8 in]
SW1- (+)	WIRE, 24AWG AWM UL1015, RED	300.0 [11.8 in]
SW1- (-)	WIRE, 24AWG AWM UL1015, BLACK	300.0 [11.8 in]



▲ SWITCH (PV4F2H0SS-3G1-M26)
 BODY - STAINLESS STEEL
 ACTUATOR - STAINLESS STEEL
 RING/POWER SYMBOL ILLUMINATION COLOR - RED/GREEN



A	24688	RELEASE	1/18/21	MW
REV	PCR NO	DESCRIPTION	DATE	BY

TITLE PV4FWH0SS-3G1-M26				
SCALE	DATE	DR	DWG	REV
2:3	1/18/2021	MW	52-PV4FWH0SS3G1M26	A

THE INFORMATION CONTAINED IN THIS DOCUMENT IS PROPRIETARY TO E-SWITCH AND IS NOT TO BE COPIED OR TRANSFERRED